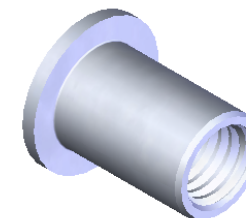
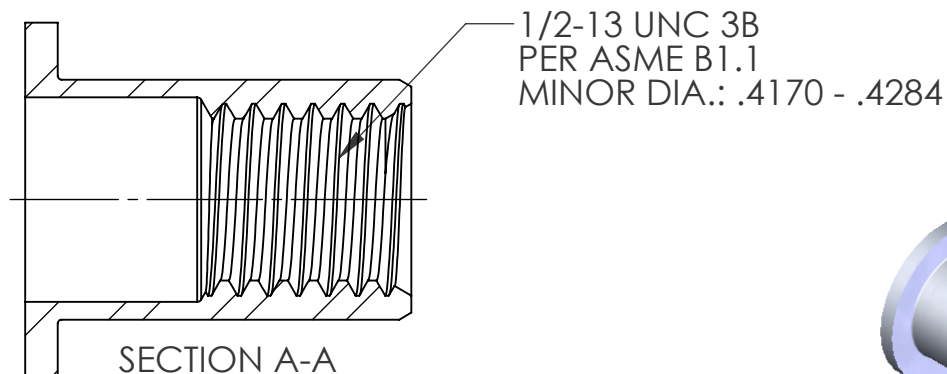


REVISIONS			
REV.	DESCRIPTION	DATE	ECN
A	INITIAL RELEASE	5/8/09	1179
B	UPDATE TO CURRENT FORMAT	7/28/10	1341




NOTE:

- GRIP RANGE: .050 - .150
- HOLE SIZE: .625 +.010/-.000 AFTER ALL APPLIED FINISHES.
- INSTALLED LENGTH: .605 REF.
- LUBRICATION: NONE
- INSTALLATION TOOL: MS 100 SPIN PULL

PROPRIETARY AND CONFIDENTIAL

THIS DRAWING, AND THE INFORMATION CONTAINED HEREIN, ARE THE PROPERTY OF SHEREX AND ARE NOT TO BE USED IN ANY MANNER DETRIMENTAL TO THE INTEREST OF THE COMPANY.
SHEREX SOLUTIONS RESERVES THE RIGHT TO REVISE PART/DRAWING WITHOUT NOTICE.

		UNLESS OTHERWISE SPECIFIED:		NAME	DATE
		DIMENSIONS ARE IN INCHES TOLERANCES: ANGULAR: MACH ± .1 BEND ± 1 TWO PLACE DECIMAL ± .01 THREE PLACE DECIMAL ± .002	DRAWN	TWR	5/8/09
		INTERPRET GEOMETRIC TOLERANCING PER: ASME Y14.5M-1994	CHECKED		
		MATERIAL	ENG APPR.	JVK	5/8/09
		430 STAINLESS	MFG APPR.		
		FINISH	Q.A.	JVK	5/8/09
		PASSIVATE	COMMENTS:		
NEXT ASSY	USED ON		E-mail: info@sherex.com www.sherex.com Phone: 866-474-3739 Fax: 716-875-0358		
APPLICATION		DO NOT SCALE DRAWING			

		
TITLE:		
FLAT HEAD OPEN END		
SIZE DWG. NO.		REV
A	CA-5013SS-150	B
SCALE: 2:1	WEIGHT: kg	SHEET 1 OF 1